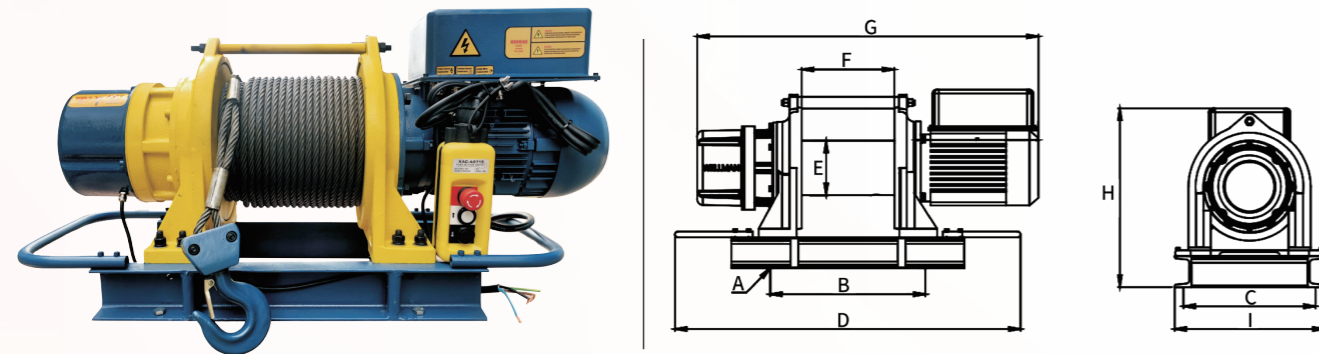


Electric Winch 500kg~1600kg

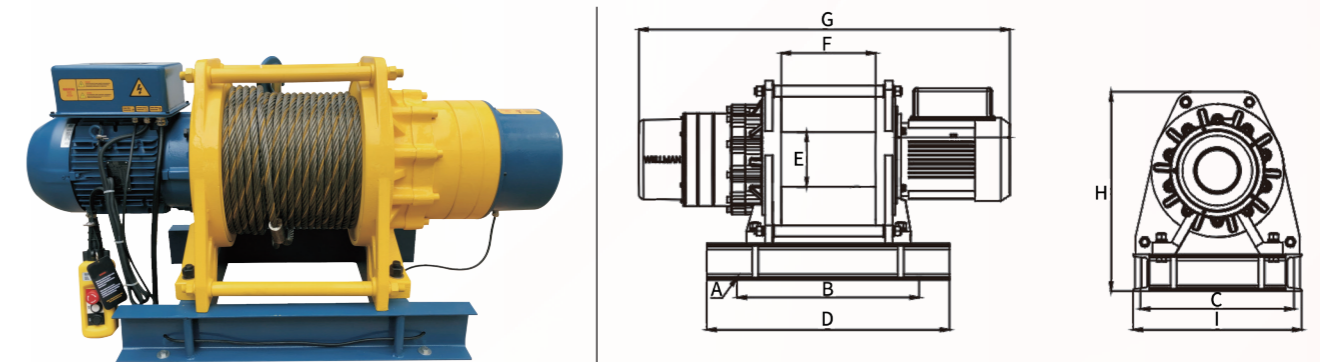


Model	Technical Parameters							
	Capacity	Rope Length (Standard/Max)	Rope Diameter	Working Speed	Motor Power	Power Supply	Phases	Net Weight
MK-500	500kg	60/100M	9mm	13-19m/min	1.5kw	220V-480V	3Phases	165kg
MK-750	750kg	60-100M	10mm	13-19m/min	2.2kw	220V-480V	3Phases	170kg
MK-1000	1000kg	60/100M	11mm	13-19m/min	3.0kw	220V-480V	3Phases	175kg
MK-1600	1600kg	60/100M	13mm	13-19m/min	4.0kw	220V-480V	3Phases	185kg

Model	Basic Dimensions(mm)								
	A	B	C	D	E	F	G	H	I
MK-500	4-Φ13	400	340	890	140	238	880	460	386
MK-750	4-Φ13	400	340	890	140	238	880	460	386
MK-1000	4-Φ13	400	340	890	140	238	880	460	386
MK-1600	4-Φ13	400	340	890	140	238	880	460	386

• Note: We reserve the right to change parameters without prior notification.

Electric Winch 2200kg~5000kg



Model	Technical Parameters							
	Capacity	Rope Length (Standard/Max)	Rope Diameter	Working Speed	Motor Power	Power Supply	Phases	Net Weight
MK-2200	2200kg	100/160M	16mm	9-14m/min	5.5kw	220V-480V	3Phases	530kg
MK-3200	3200kg	100/160M	16mm	9-14m/min	7.5kw	220V-480V	3Phases	550kg
MK-3600	3600kg	100/200M	18mm	9-14m/min	9.2kw	220V-480V	3Phases	600kg
MK-5000	5000kg	200/300M	22mm	6-12m/min	15.0kw	220V-480V	3Phases	1500kg

Model	Basic Dimensions(mm)								
	A	B	C	D	E	F	G	H	I
MK-2200	4-Φ18	600	510	800	180	310	1225	655	565
MK-3200	4-Φ18	700	510	900	180	410	1365	655	565
MK-3600	4-Φ18	700	510	900	180	410	1390	655	565
MK-5000	4-Φ18	920	950	1120	300	660	1860	1260	950

• Note: We reserve the right to change parameters without prior notification.