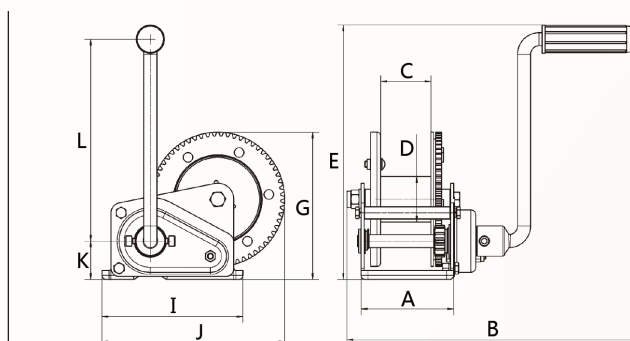


RBW Type Hand Winch

Features:

- Compact design
- Spur gear drive for optimal efficiency
- Winching housing and rope drum from robust steel plate for high versatility
- Unintentional brake release is prevented even with swinging loads



Model		RHW-1000	RHW-1200	RHW-1500	RHW-2000	RHW-2500
Capacity 1st Layer(lbs)		1000	1200	1500	2000	2500
Test Load(KN)		4.5	5.4	6.7	8.9	11.2
Speed Ratio		3.5:1	4.3:1	5.1:1	8.8:1	11:1
Wire Rope(Φ mmxLm)		4mmx15m	4mmx15m	4mmx15m	6mmx15m	6mmx15m
Dimension(mm)	A	92	92	92	118	118
	B	300	300	300	339	339
	C	50	50	50	56	56
	D	45	45	45	63	63
	E	252	252	252	309	309
	G	146	146	146	172	172
	I	122	122	122	170	170
	J	182	182	182	220	220
	K	38	38	38	45	45
L	200	200	200	250	250	
Net Weight(kg)		3.1	3.3	3.4	6.8	6.9

• Note: We reserve the right to change parameters without prior notification.