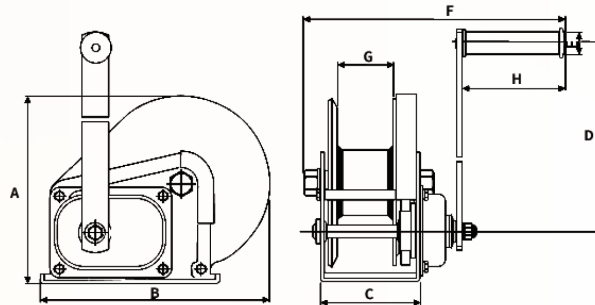


HAND WINCH

JC Type Hand Winch

- Features:**
- Winching housing and rope drum from robust steel plate for high versatility
 - Rope drum bush bearings for flawless rope lead-off
 - Spur gear drive for optimal efficiency
 - It can also be supplied to customers without steel wire rope and webbing.
 - Easy and quick mounting onto walls ,poles, towers etc.Pivotable handle
 - Automatic load pressure brake for safe holding and extremely sensitive lowering of the load.
 - Unintentional brake release is prevented even with swinging loads



Model	JC-1200	JC-1800	JC-2600	
Capacity 1st Layer(lbs)	1200	1800	2600	
Test Load(KN)	6.8	10.3	15	
Speed Ratio	4.2:1	5:1	10:1	
Wire Rope(Φ mmxLm)	4mmx15m	5mmx15m	6mmx15m	
Dimension(mm)	A	156	203	216
	B	184	256	293
	C	88	107	127
	D	204	319	319
	E	27	27	27
	F	280	283	305
	G	51	60	63
	H	109	109	109
Net weight(kg)	3.8	7.8	10.3	

Note: The rated load weight refers to the maximum load when winding the first layer of wire rope, which decreases proportionally with the increase of the number of layers of wire rope. Under load, keep more than three turns of rope in the drum.

• Note:We reserve the right to change parameters without prior notification.