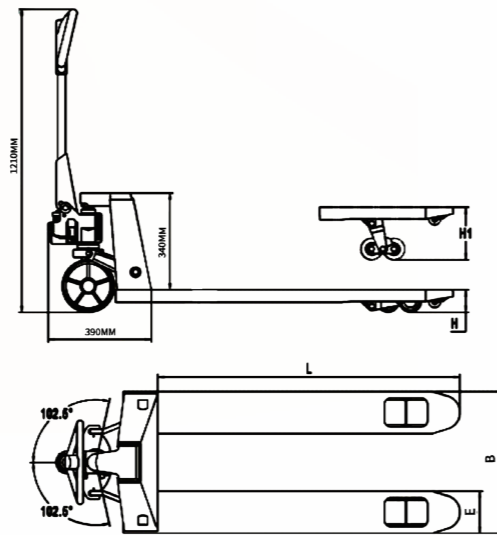


BFS Type Stainless Steel Manual Hydraulic Truck

Features:

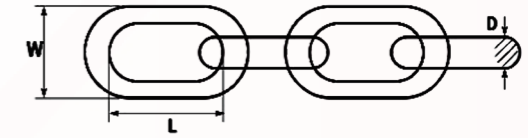
- This Truck is suitable for cold storage and high cleanliness requirements, such as meat processing, dairy products Industry, food processing and other industries.
- BF-S Manual Hydraulic Truck in addition to wheels, seals and other rubber parts of all parts are made of 304 stainless steel material, exquisite appearance.
- Key parts integral seal cylinder, internal overflow valve to provide overload protection, avoid overload use, reduce maintenance costs, durable, easy maintenance.



Model	BF-S20	BF-S25	BF-S30
Capacity(t)	2	2.5	3
Minimum Height of fork H(mm)	85	85	85
Maximum Height of fork H1(mm)	200	200	200
Steering Wheel (mm)	Φ180×50	Φ180×50	Φ180×50
Wheel Bearing (mm)	Φ80×70	Φ80×70	Φ80×70
Pallet fork size E(mm)	160		
Pallet fork width B(mm)	550/685		
The goods fork length L(mm)	1150/1220		
Net Weight (kg)	60-80		

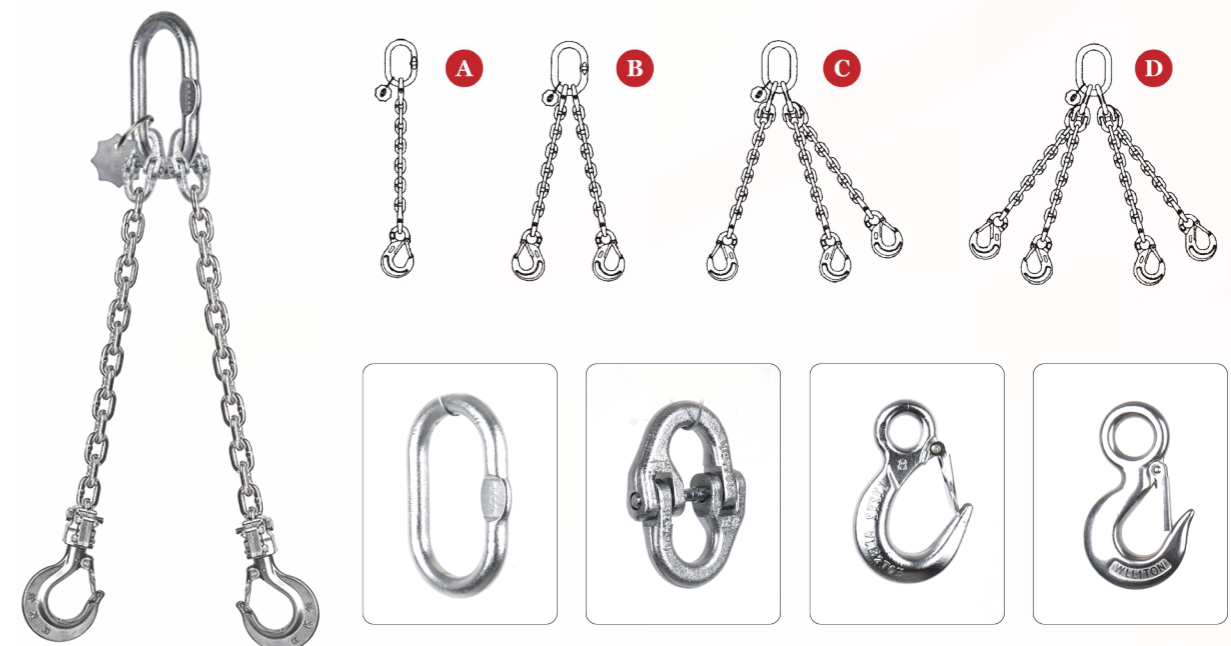
• Note:We reserve the right to change parameters without prior notification.

Din 766 Chain



Size	D (mm)	L (mm)	W (mm)	kg/100m
3.0	3.0	16.0	11.0	16.3
4.0	4.0	16.0	13.0	32.0
5.0	5.0	18.5	16.0	50.0
6.0	6.0	18.5	18.2	80.0
7.0	7.0	22.0	22.4	110.0
8.0	8.0	24.0	25.6	140.0
9.0	9.0	27.0	28.8	180.0
10.0	10.0	28.0	32.0	230.0
11.0	11.0	31.0	35.2	268.0
12.0	12.0	36.0	38.6	311.0
13.0	13.0	36.0	41.6	380.0
16.0	16.0	45.0	51.2	570.0

Stainless Steel Chain Rigging



• Note:We reserve the right to change parameters without prior notification.