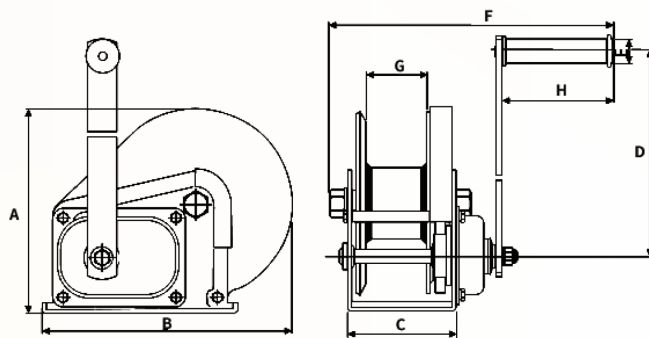


## JC-S Type Stainless Steel Hand Winch

### Features:

- Compact and sturdy structure, the whole machine is made of 304 stainless steel material, excellent corrosion and rust prevention performance
- Equipped with friction brake device, brake flexible, lifting and self-locking, high safety factor
- Suitable for food, medicine, chemical industry, water pump hoisting and safe operation in harsh environment



Model	JC-800S	JC-1200S	JC-1600S	JC-1800S	JC-2600S	
Capacity 1st Layer(lbs)	800	1200	1600	1800	2600	
Test Load(KN)	3.56	5.35	7.12	8	11.5	
Speed Ratio	3:1	4.2:1	5:1	5:1	10:1	
Wire Rope(ΦmmxLm)	4mmx10m	4mmx15m	5mmx15m	5mmx15m	6mmx15m	
Dimension(mm)	A	122	156	173	203	216
	B	117	184	209	256	293
	C	88	88	99	107	127
	D	170	204	204	319	319
	E	27	27	27	27	27
	F	277	280	287	283	305
	G	50	51	60	60	63
	H	109	109	109	109	109
Net weight(kg)	2.6	3.6	4.3	7.8	10.3	

Note: The rated load weight refers to the maximum load when winding the first layer of wire rope, which decreases proportionally with the increase of the number of layers of wire rope. Under load, keep more than three turns of rope in the drum. Stainless steel series winch lifting operations should be downgraded.

• Note: We reserve the right to change parameters without prior notification.