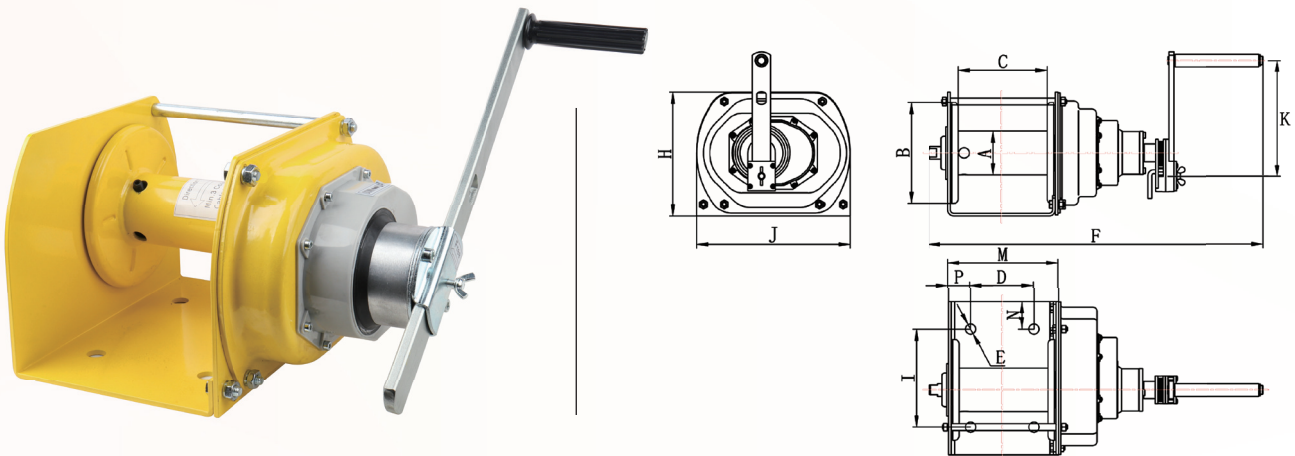


# HAND WINCH

## JW Type Hand Winch

### Features:

- Suitable for many lifting and lowering applications such as raising boats on davits or raising and lowering sailboat keels.
- Self-locking brake winches provide additional safety and control for many lifting and pulling jobs.
- The automatic friction on brake supplies constant, positive holding action and prevents runaway load.
- Brake is fully automatic and the load remains in position anytime the handle is released.



Model	JW-500	JW-1000	JW-2000	JW-3000
Capacity 1st Layer(kg)	500	1000	2000	3000
Test Load(KN)	6.125	12.25	24.5	36.75
Speed Ratio	4.33:1	12.19:1	22.68:1	29.16:1
Wire Rope(ΦmmxLm)	6mmx40m	8mmx40m	9mmx40m	12mmx40m
Dimension(mm)	A	60	76	90
	B	140	175	190
	C	150	154	195
	D	100	110	155
	E	15	18	18
	F	403	443	490
	H	182	214	230
	I	130	170	170
	J	245	266	300
	K	350	350	350
	M	178	191	302
	N	57.5	48	44
P	39	38.5	43	
Net Weight(kg)	14.4	19.5	25.5	45.5

• Note: We reserve the right to change parameters without prior notification.