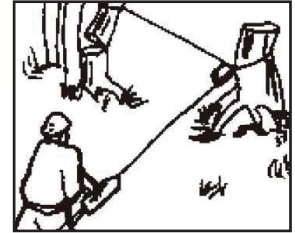
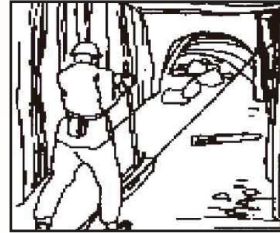
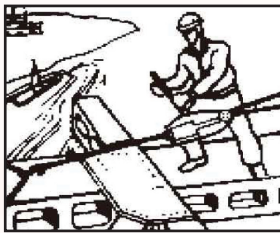
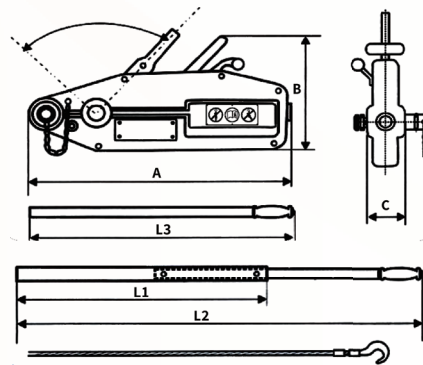
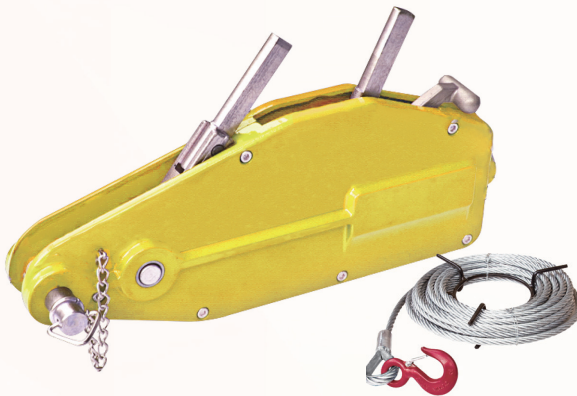


HAND WINCH

WRP Type Wire Rope Winch

Features:

- Designed for lifting, towing and pulling, safe and reliable, durable in use.
- Small-sized, easy to take and operate, maintain convenient.
- Working with high-efficiency, handle lightly, function steady and fine appearance.
- Case is made by high tensile forged alloy steel, the matched wire rope has very high breaking force and abrasion resistance.



Model		WRP800	WRP1600	WRP3200	WRP5400
Capacity (kg)		800	1600	3200	5400
Test Load(N)		1200	2400	4000	8100
Rated forward travel (mm)		52	55	28	25
Wire Rope(ΦmmxLm)		8.3*20	11*20	16*20	20*20
Rated forward hand power (N)		341	400	438	550
Dimension(mm)	A	426	545	660	930
	B	238	284	325	390
	C	64	97	116	150
	L1		692	692	692
	L2		1200	1200	1200
	L3		800		
Net Weight(kg)		7.2	14.8	25.2	61
	with rope	14.2	25.2	45.8	96.5

• Note:We reserve the right to change parameters without prior notification.