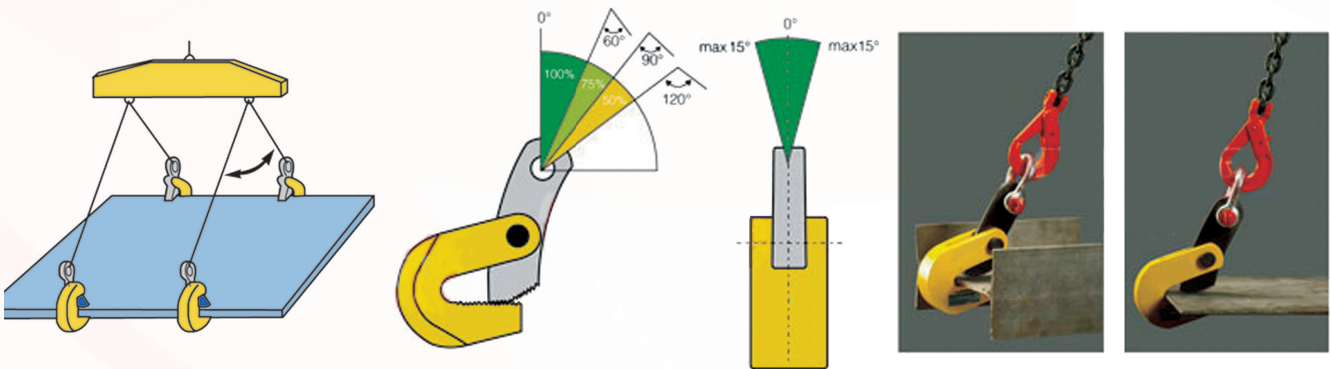


L Type Horizontal Lifting Clamp



Features:

- Suitable for lifting and transport of steel plates , construction and profiled bar in horizontal position.
- Manufactured from high quality carbon steel.
- Avoid snatch or shock loading.
- The working load limit is the maximum load that the clamp are authorized to support when used in pairs with a lift angle of 60° .In lifting operations the clamps can be used in pairs or multiples.
- The main body and parts are made from die-forged special alloy steels, which are optimally tempered for maximum strength and durability.



Model	Capacity(KG)	Test Load(KG)	Jaw Opening(mm)	Net Weight(kg)
L-0.8	800	1200	0-15	2
L-1	1000	1500	0-20	4
L-1.6	1600	2400	0-25	6.5
L-2.5	2500	3750	0-30	11
L-2.5(B)	2500	3750	25-50	11
L-3.2	3200	4800	0-40	12.5
L-3.2(B)	3200	4800	30-60	12.5
L-5	5000	7500	0-50	19

• Note:We reserve the right to change parameters without prior notification.