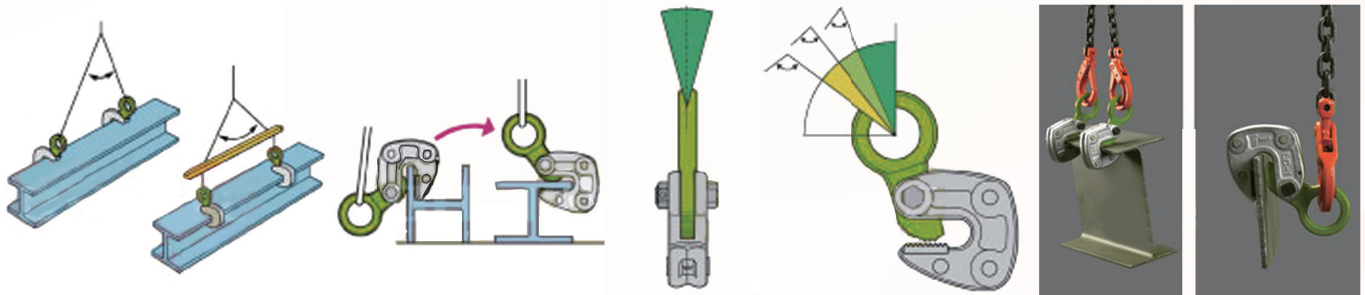
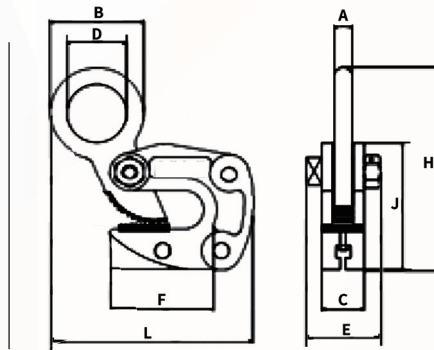


HLC Type Horizontal Lifting Clamp

- Features:**
- Clamp for the horizontal lifting of “H”, “I”, “T”, “L” shaped structured steel.
 - From a mechanics point of view, these clamps have ideal designs, which are compact, lightweight, easy to use
 - The main body and parts are made from die-forged special alloy



Model		HLC-05	HLC-10	HLC-20	HLC-30
Capacity(KG)		500	1000	2000	3000
Test Load(KG)		750	1500	3000	4500
Jaw Opening(mm)		1-13	1-13	3-22	12-35
Dimension(mm)	A	14	14.5	21.6	23
	B	46	72	96.5	79.5
	C	31	30.7	40	50
	D	44	45.8	59.3	34.7
	E	44	48	59.6	73
	F	63	64	89	109
	H	142	169	243	258
	I	95	102	133	173
	J	125	153	173	206
Net weight(kg)		1.2	1.9	4.0	7.8

• Note: We reserve the right to change parameters without prior notification.