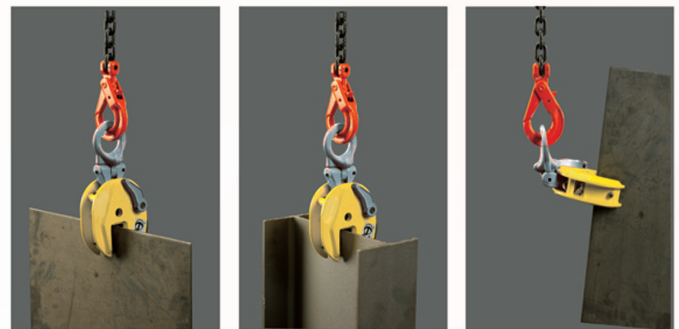
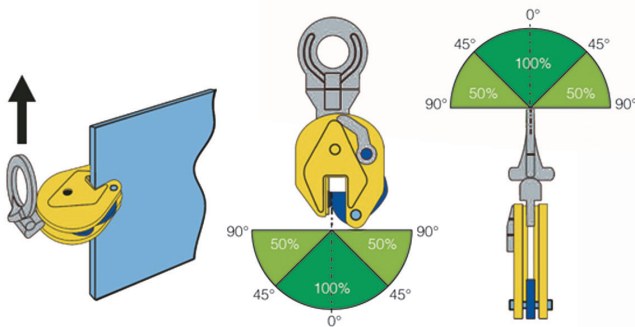
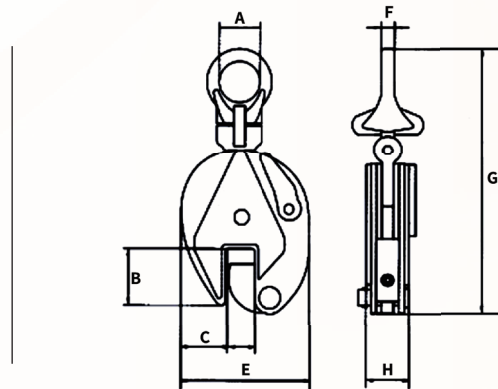


PCD Type Vertical Lifting Clamp

Features:

- For lifting and transporting of steel plates and structures from all positions (horizontal, vertical and sidelong).
- Articulated lifting shackle.
- Clamps are equipped with a safety mechanism, ensuring the clamp does not slip when lifting force is applied and when load is being lowered.
- The clamp is locked in closed as well as in open position.



Model		PCD-05	PCD-10	PCD-20	PCD-30	PCD-50	PCD-80
Capacity(KG)		500	1000	2000	3000	5000	8000
Test Load(KG)		750	1500	3000	4500	7500	12000
Jaw Opening(mm)		0-15	0-20	0-25	0-30	0-50	40-80
Dimension(mm)	A	30	48	68	74	74	78
	B	40	65	76	87	120	98
	C	34	50	62	58	72	88
	E	105	145	175	218	235	286
	F	10	13	16	19	21	25
	G	218	305	368	395	480	490
	H	45	63	68	90	100	115
Net weight(kg)		2.0	5.0	7.5	15.5	20	24.5

• Note: We reserve the right to change parameters without prior notification.