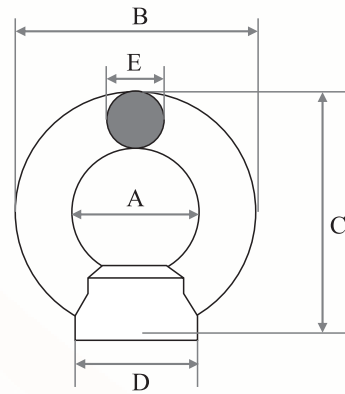


Din 582 Eye Nut



Size	A (mm)	B (mm)	C (mm)	D (mm)	E (mm)	kg/1000pcs
M3	7.29	12.92	13.94	6.94	2.94	2.39
M4	10.41	17.77	19.17	8.42	4.10	5.79
M5	12.20	22.10	21.70	11.70	4.95	9.20
M6	16.42	27.00	29.60	16.00	5.36	19.80
M8	20.20	34.80	35.20	18.60	7.30	36.40
M10	25.60	42.80	43.50	23.30	8.60	63.30
M12	32.20	50.80	51.00	28.40	10.30	107.12
M14	30.20	52.60	54.30	28.50	11.20	119.92
M16	34.70	59.70	59.30	32.60	12.50	178.80
M18	37.16	66.45	66.80	37.40	15.35	245.18
M20	40.00	68.40	66.80	41.60	14.20	280.15
M24	50.33	84.90	86.00	47.00	17.30	504.60
M27	42.88	85.00	83.84	49.00	21.67	674.50
M30	54.30	103.22	104.30	54.60	24.00	1025.50
M36	67.40	123.80	122.90	72.90	26.90	1873.60
M42	77.80	143.20	154.10	77.30	31.50	2950.00
M48	93.72	170.00	183.00	93.60	37.20	5000.00



• Note: We reserve the right to change parameters without prior notification.